

# Sorrento Sofa



## Features

### 1. Seat cushion

Higher Grade Foam Created through cold-cure foam technology, this ensures ergonomically correct seating posture and support which lasts.

### 2. Back cushion

Silicon fiber is contained by individually sewn channels which ensure even distribution and minimize the need for maintenance.

### 3. Steel Interior

Steel springs located throughout seat provide optimum support whilst cradling the body.

### 4. Solid Construction

A hardwood frame provides durability and strength.

**Warranty** - See warranty policy for more details.

10 years	on molded foam cushions and steel frames
5 years	on mechanisms
2 years	on leather and fabric covers

DESIGNED IN NORWAY

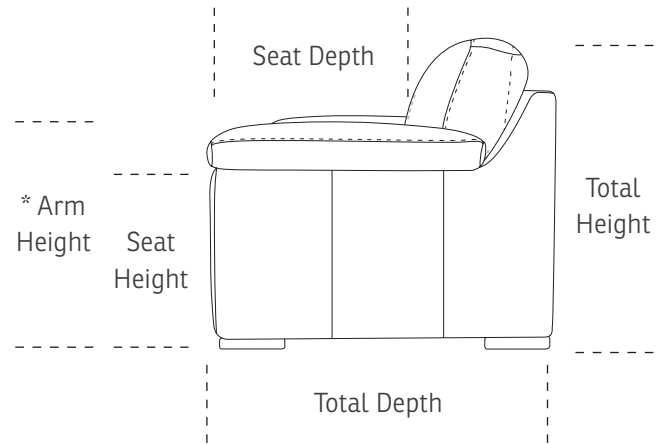
## The IMG Promise

Our products are subjected to the highest Norwegian quality standards. Our comprehensive warranty policy is our promise to you that your furniture has been built to last.

# Sorrento Options and Technical Specifications

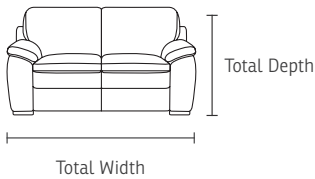
## Options

- All IMG leathers, fabrics and wood colors can be selected
- 2 seat cushions on 3 seater
- 3 seat cushions on 3 seater

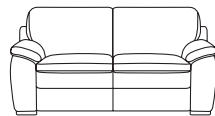


\* Arm height for this frame is measured at the highest point of the arm.

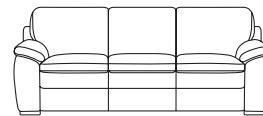
2 Seat



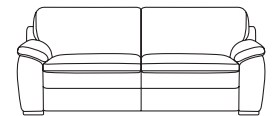
2.5 Seat



3 Seat



3 Seat Duo



## Measurements\*

Sorrento	Total Width	Total Depth	Total Height	Seat Width	Seat Height	Seat Depth	Arm Height
2 Seat	158 cm / 62.2 in	93 cm / 36.6 in	86 cm / 33.9 in	115 cm / 45.3 in	48 cm / 18.9 in	53 cm / 20.9 in	60 cm / 23.6 in
2.5 Seat	173 cm / 68.1 in	93 cm / 36.6 in	86 cm / 33.9 in	130 cm / 51.2 in	48 cm / 18.9 in	53 cm / 20.9 in	60 cm / 23.6 in
3 Seat	217 cm / 85.4 in	93 cm / 36.6 in	86 cm / 33.9 in	172.5 cm / 67.9 in	48 cm / 18.9 in	53 cm / 20.9 in	60 cm / 23.6 in
3 Seat Duo	217 cm / 85.4 in	93 cm / 36.6 in	86 cm / 33.9 in	172.5 cm / 67.9 in	48 cm / 18.9 in	53 cm / 20.9 in	60 cm / 23.6 in

\* The dimensions are approximate and may vary with +/-2cm