

## FRAME

- Kiln dried solid plantation wood and structural composites are glued, screwed and corner blocked.

## SUSPENSION

- The seat platform features No-Sag Memory Springs for superior performance, comfort and support.

## SEAT CUSHIONS

- High Resilience foam is wrapped in a luxurious fiber.

## BACK CUSHIONS

- Siliconized fiber is contained by individually sewn channels which ensure even distribution and minimize the need for maintenance.



2.5 SEAT



3 SEAT DUO


## Construction Features

- Frames are made from solid wood and laminated structural composites
- All corners are reinforced with corner blocks
- No-Sag Memory Sprung Seat
- Channelled Siliconized Fiber back cushion
- Wood legs
- 2 seat cushions on 3 seater

## Options

- All IMG leathers, fabrics and wood colors can be selected
- 3 seat cushions on 3 seater

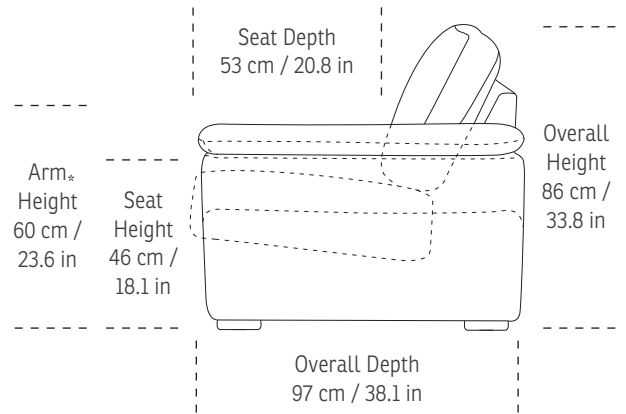
## Exclusive Warranty



10 years on molded foam cushions and steel frames  
 5 years on mechanisms  
 2 years on motor and battery-parts  
 2 years on leather and fabric covers

**DESIGNED IN NORWAY**

See warranty policy for more details.



\*Note: Arm height for this frame is measured at the highest point of the arm.

\*The dimensions are approximate and may vary with +/- 2cm.

