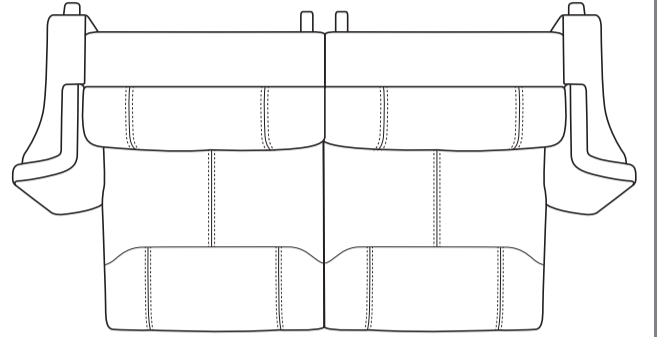
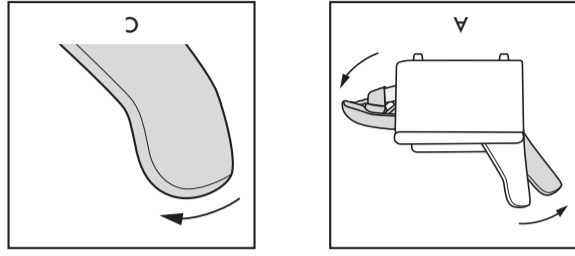
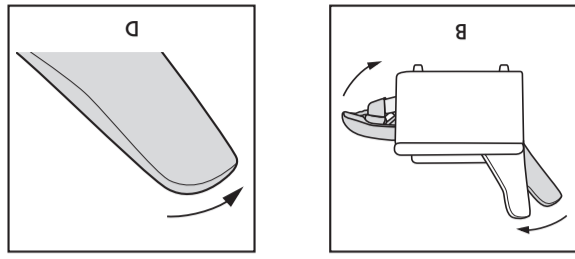


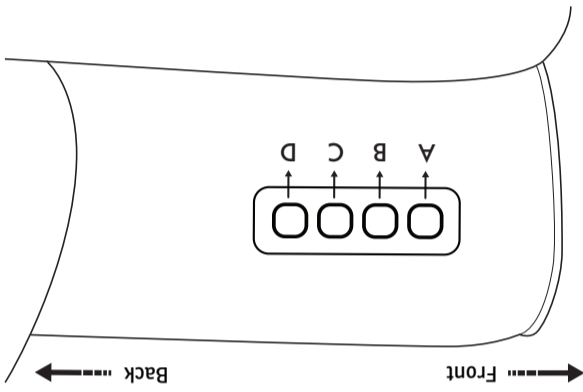
IMPORTANT
More information about your product
in the Care Manual



Motion Sofa

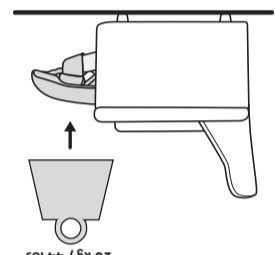
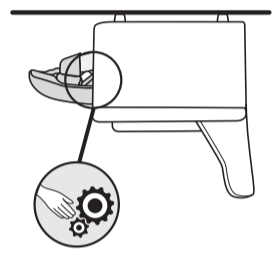
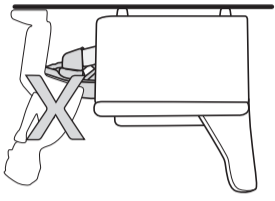
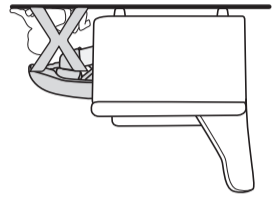
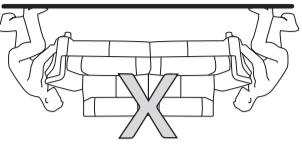


Function



Analog Switch Function

Please disassemble the sofa before moving

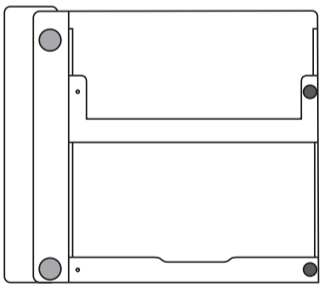


max
20 kg / 44 lbs

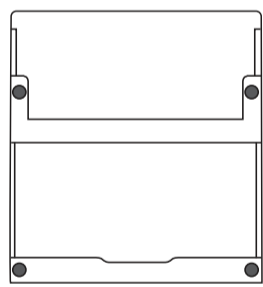
Warnings



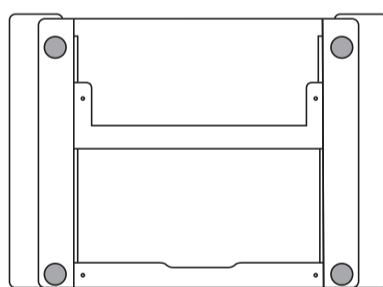
Leg placement example



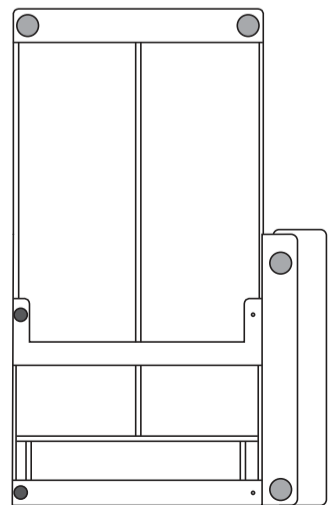
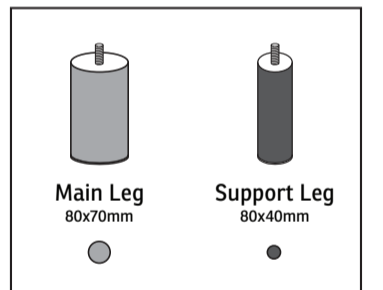
Seat (1 arm)



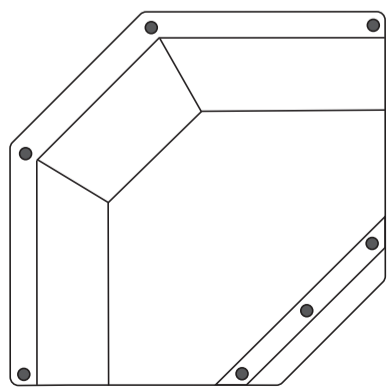
Seat (no arms)



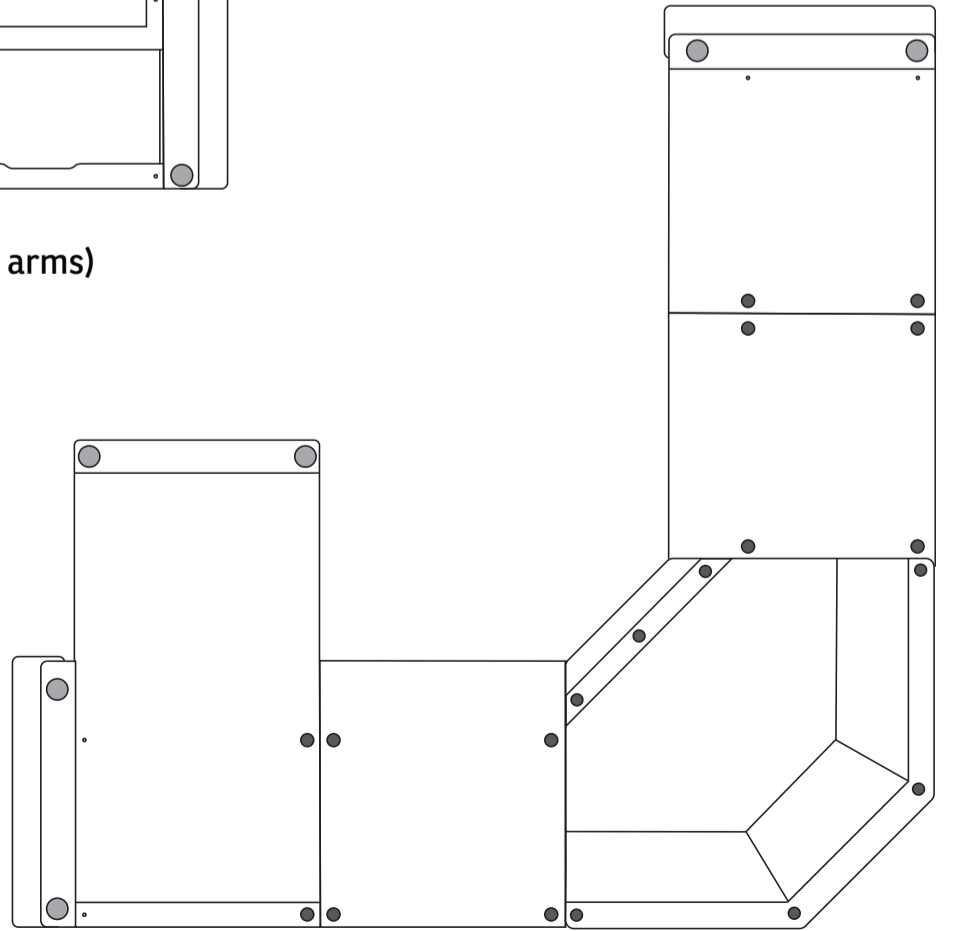
Seat (2 arms)



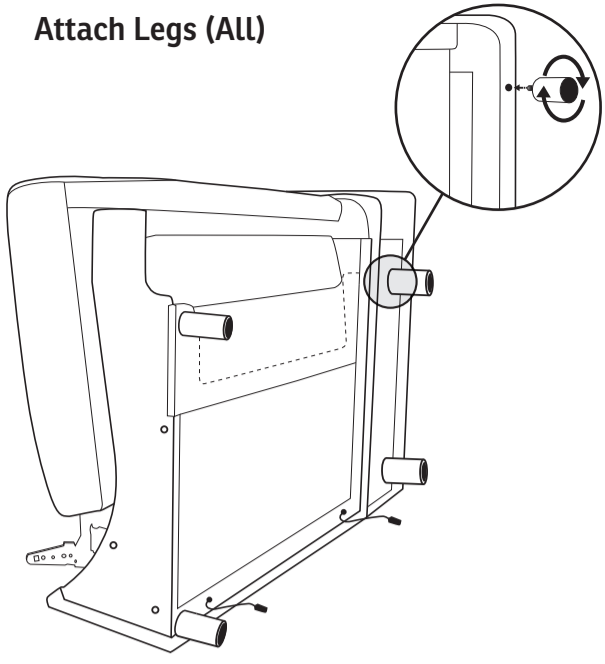
Long seat (1 arm)



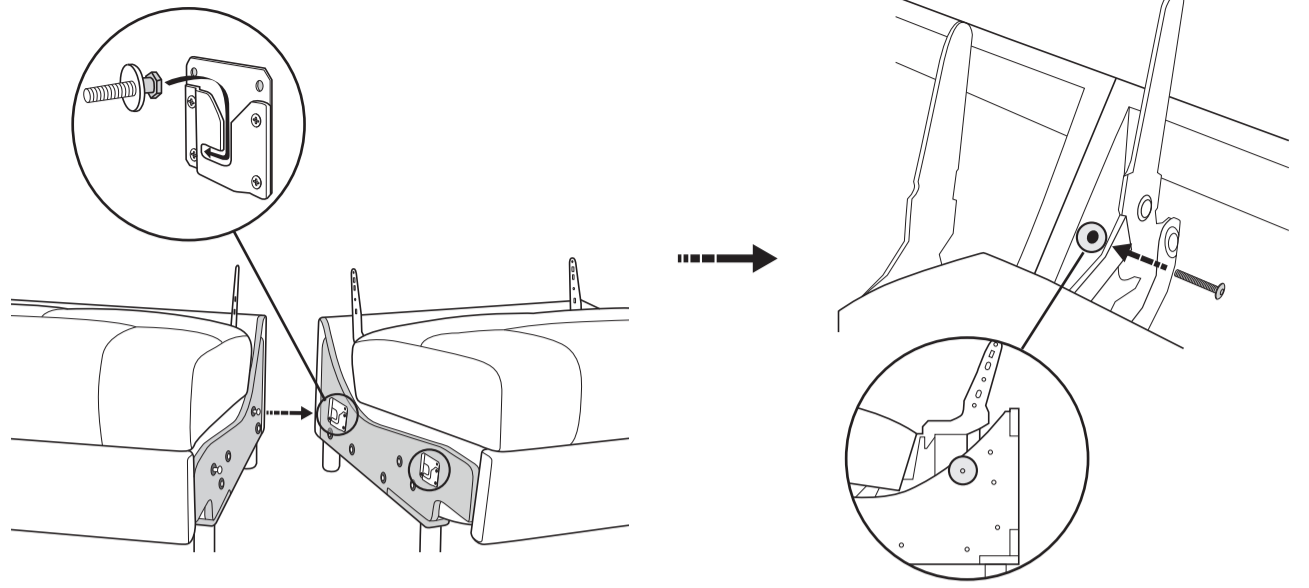
Corner



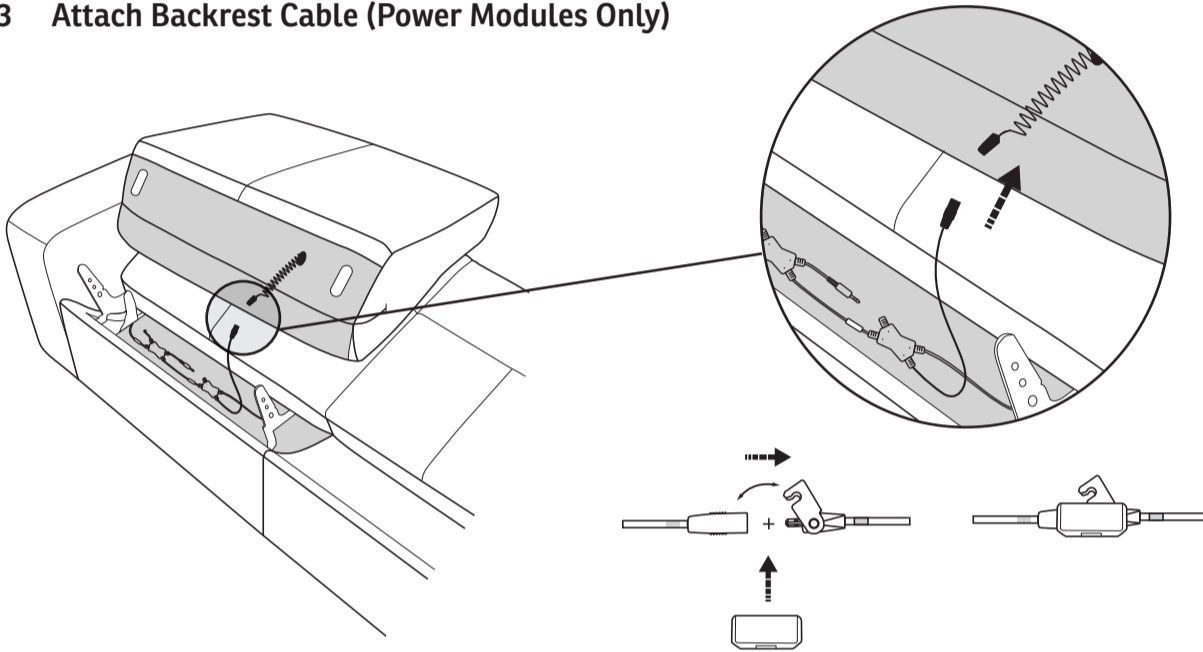
1 Attach Legs (All)



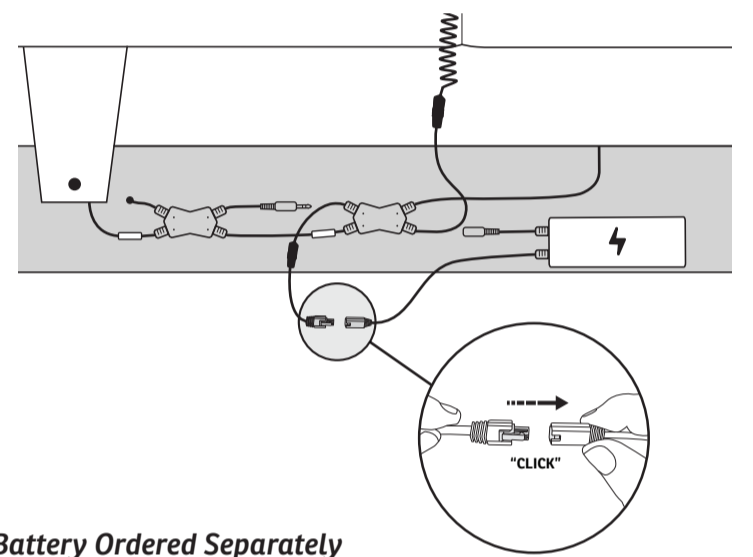
2 Connecting Modules (All)



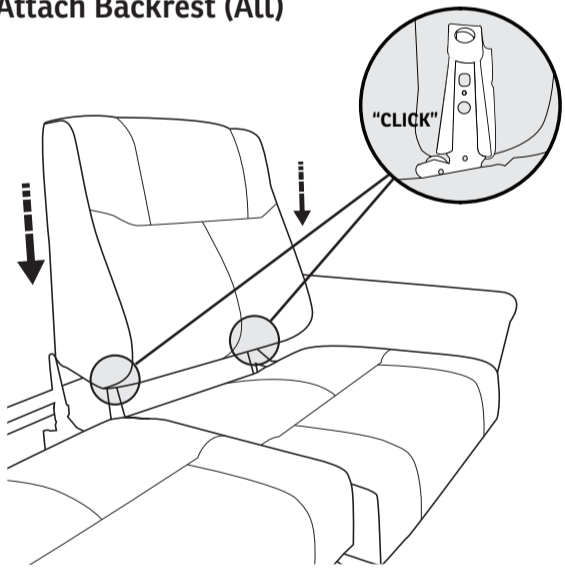
3 Attach Backrest Cable (Power Modules Only)



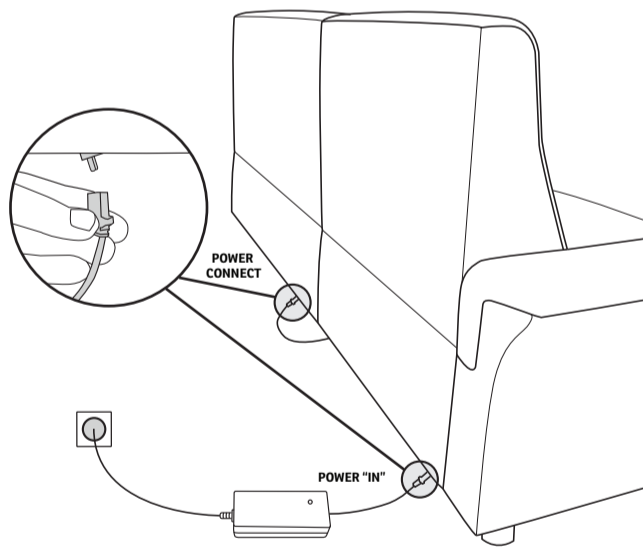
4 Connecting Battery Cable (Power Modules Only)



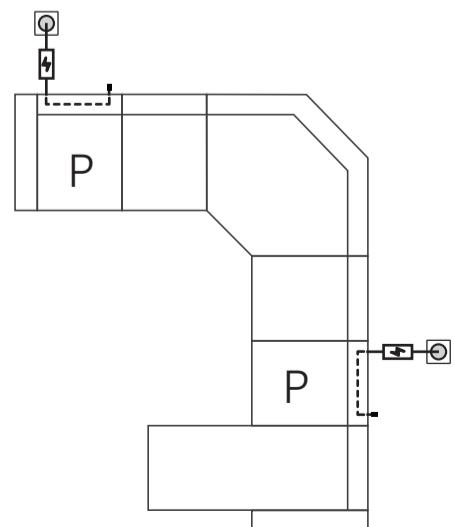
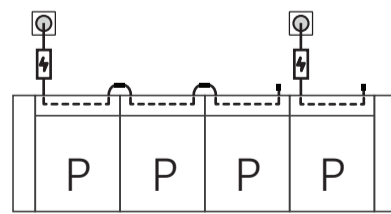
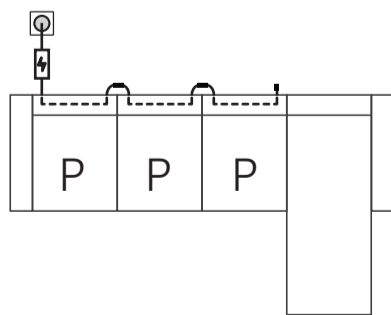
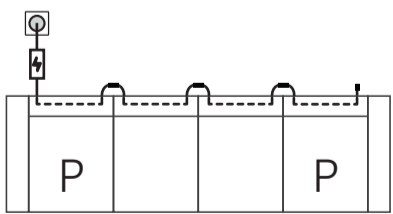
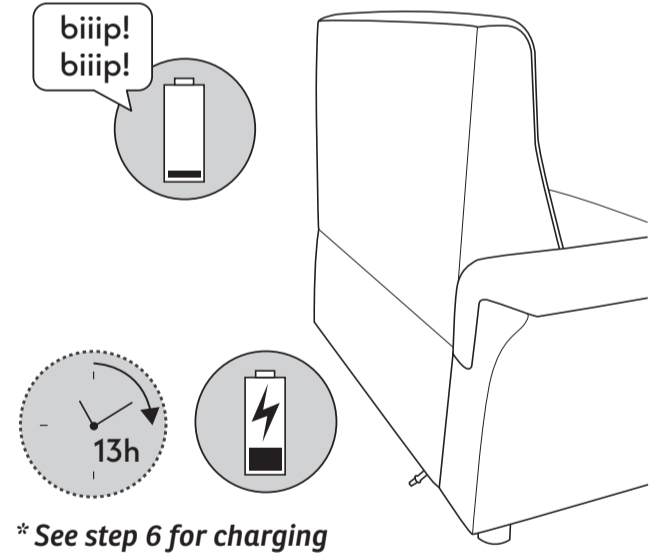
5 Attach Backrest (All)





6 Connecting Power/Charge Battery



7 Battery Indicator



 = Power Adapter P = Seat with power

 CAUTION : Maximum of three power seats per one power adapter.