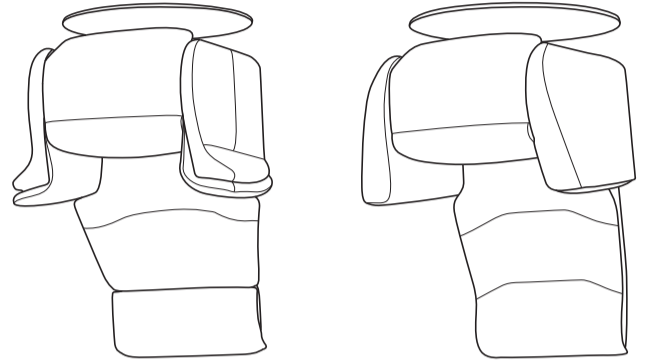
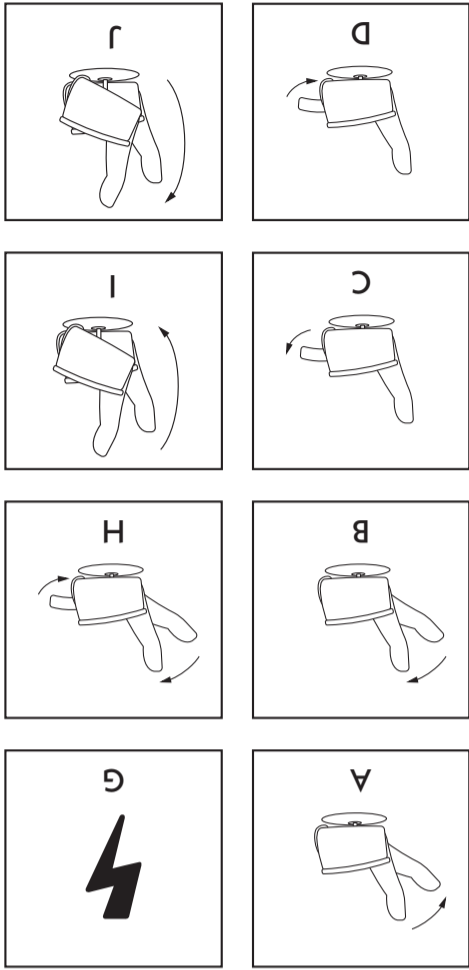


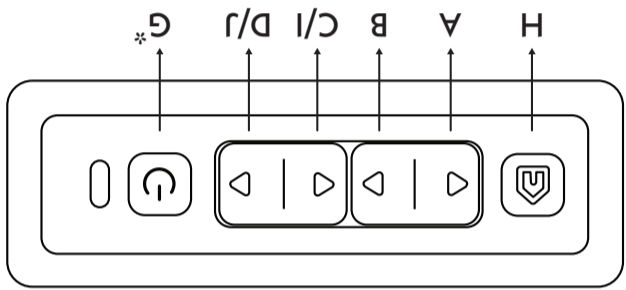
IMPORTANT
More information about your product
in the Care Manual



Next Generation Relaxer

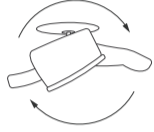


Function



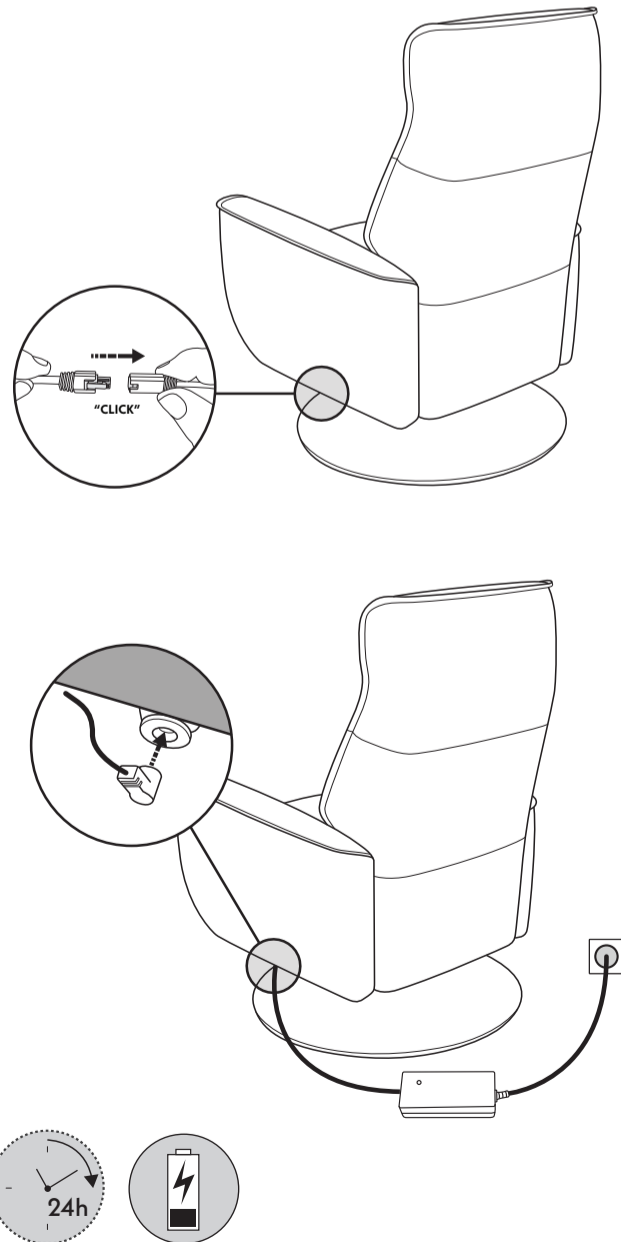
Analog buttons

To achieve "zero gravity" position, press A & C buttons.
(Not available on Lift chair)
* To save battery, turn off when not in use.

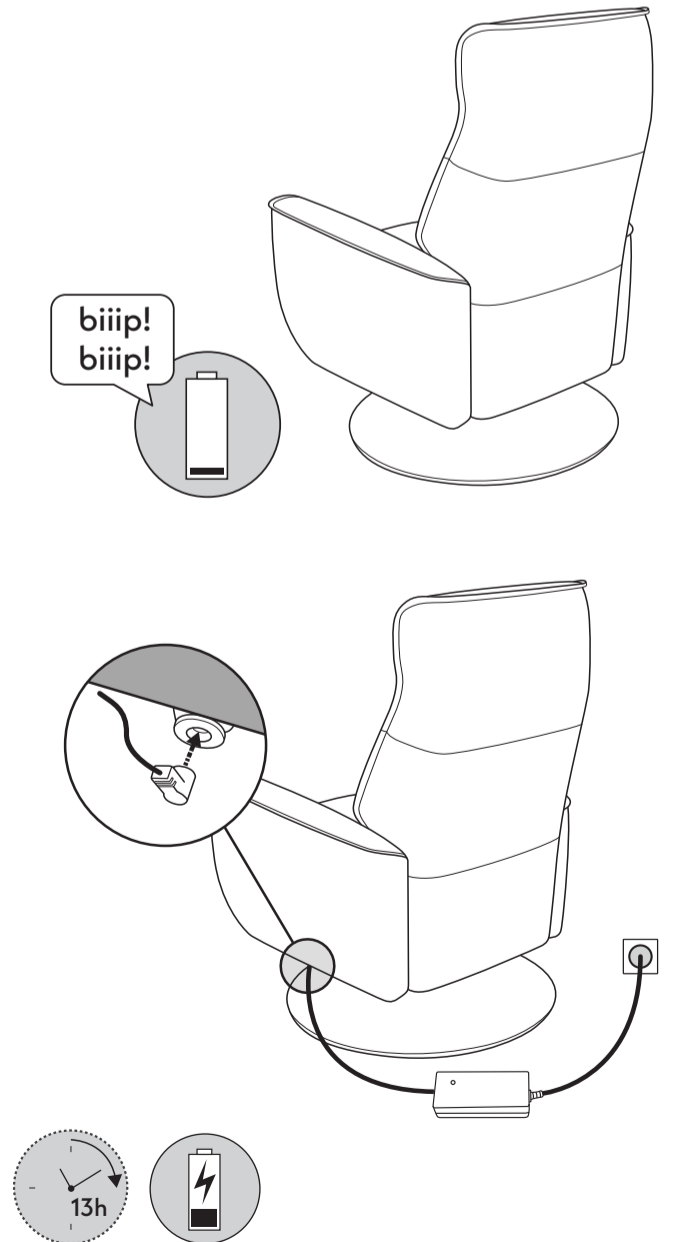


Gravity/Advanced Models/Lift Models

Battery initialisation

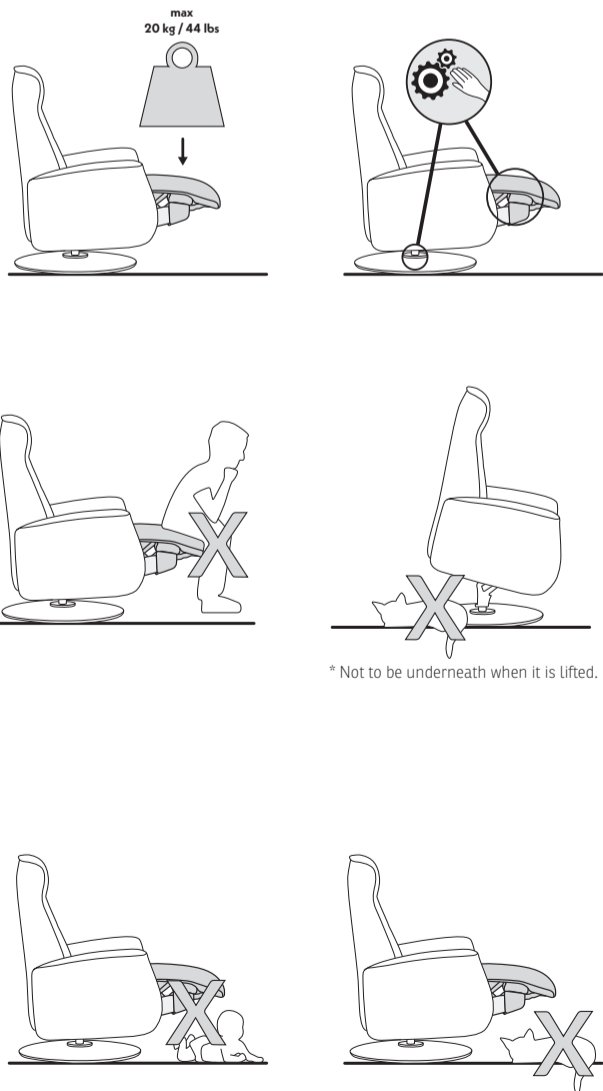


Charging battery

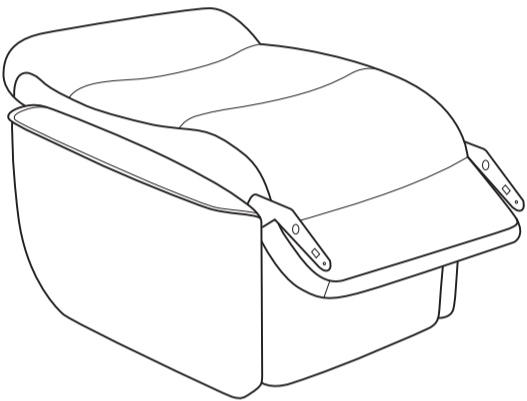
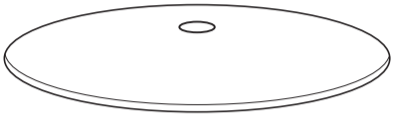


! Always keep connected to power for lift models.

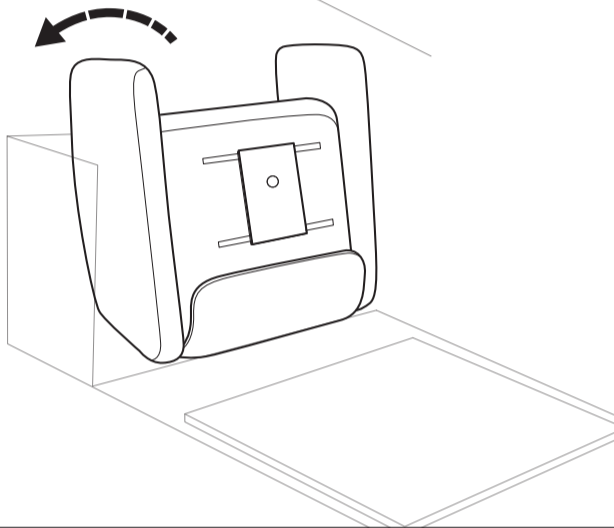
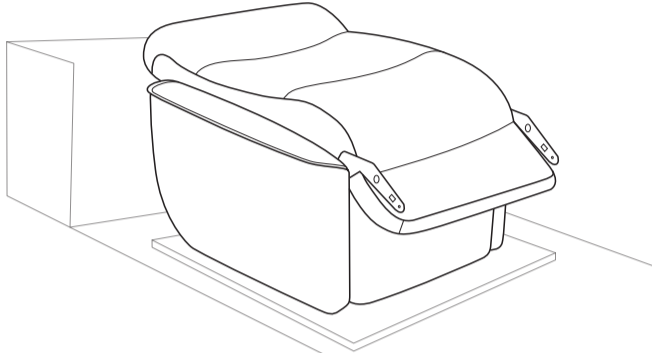
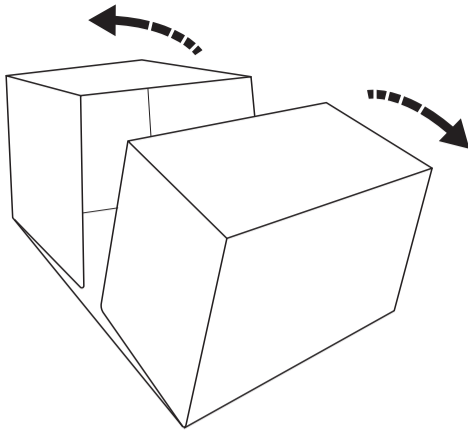
Warnings



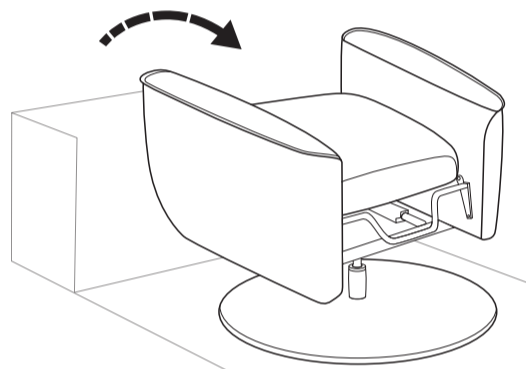
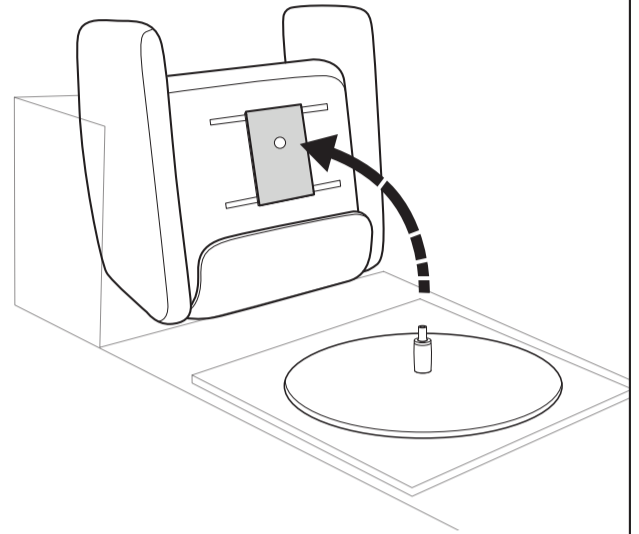
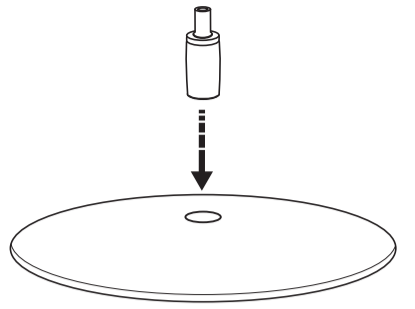
In the box



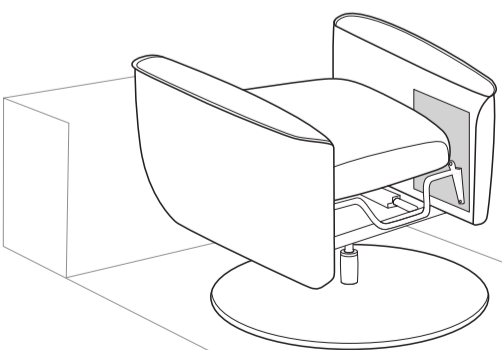
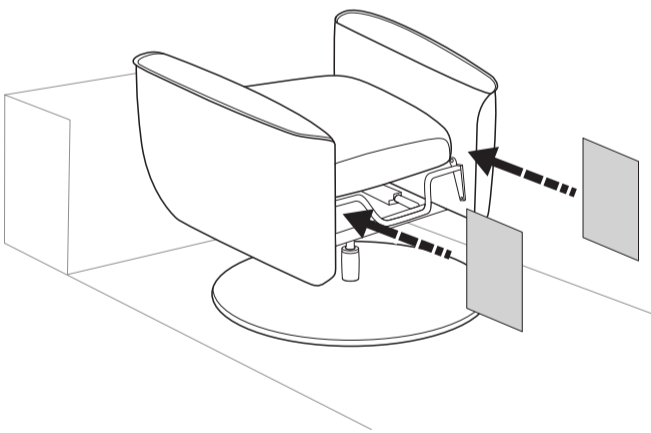
1



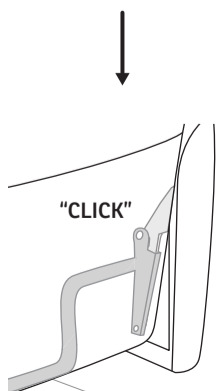
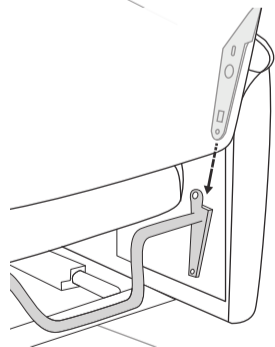
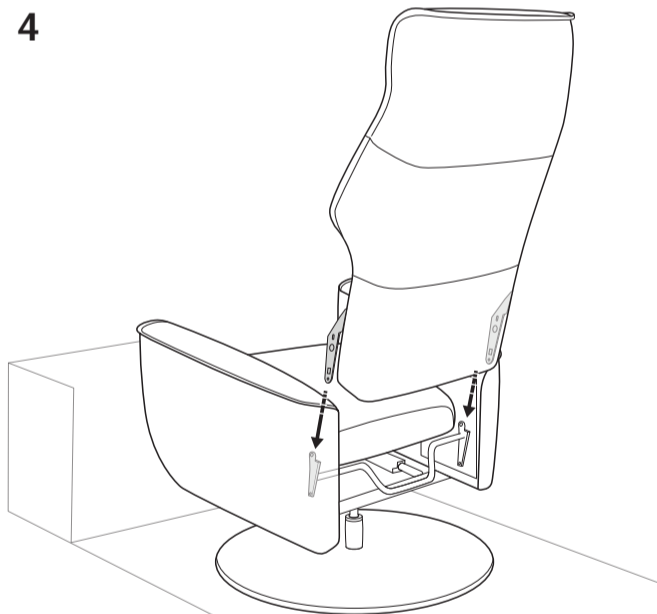
2



3



4



5

