

- Don't open housing! Repair only by authorized dealer



KS-ProLock II_2100
Motorcontroller with
Backup Voltage Source

In behalf of
Kintec-Solution GmbH
Bokeler Str. 100, D-33387 Rietberg

Match Code: PSS00435032 IDN8777
Kintec No.: 001 06 00054 01 / C
Max. Chrg. Voltage: 25.2V / 0.35A
Nom. Output: 24V / nom. 3A
Duty Cycle: 10% ; 2/18min
Wh_rating: max.: 45.4Wh
Use only Charger Type: LCH635
Max. Ambient Temp.: 30C

Caution:
-Dry/location use only
-Not intended f. servicing
-Don't crush. Don't heat or incinerate
-Before transport, remove 10A fuse
-Don't dismantle
-Respect charging instruction!
Serial No.: xxxxxx

CE **PA**  

Patent pending!
Under behalf of
Modico Systems GmbH

www.yyyynnnnnn

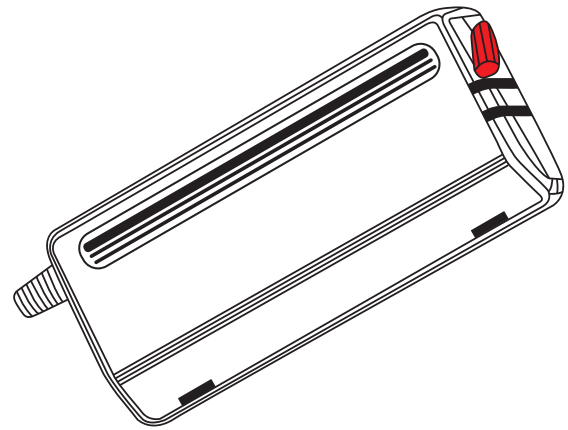
Made in China

Nameplate:
Satus Nov.2017

SPM BATTERY INSTRUCTIONS

SPM Battery instructions

Lilo Accu Pack 2100mAh KS-Prolock II



Read following quick start guide first

READ FOLLOWING QUICK START GUIDE FIRST

ATTENTION / NOTE:

The KS-ProLock Motor controller is different to the nowadays usual battery supplied device, equipped with a deep discharge protection function. This discharge protection is provided by the ProLock fuse.

After activating the Accu this deep discharge protection is not assured. We recommend to insert the fuse after consumer delivery.

ACTIVATING THE KS-PROLOCK MOTOCONTROLLER

- 1) To enable you KS-Pro Lock, disassemble the fuse from one of the cables like shown in Picture.1
- 2) Insert carefully to the allocated slot on the front side of the housing (see picture 2). Make sure that the fuse is contacted properly.
- 3) The device is now activated and ready to use.

Recommendations:

Upon delivery, the battery will be charged up to 30%. This is enough power for a one time use of your product. We recommend you fully charge the battery before using. If you hear a soft beeping signal while using the furniture, we recommend to connect the charger (Type LCH635) to the charging socket of your armchair.

Practical hints:

- The KS-Pro Lock Motor controller needs to be charged only if the remaining capacity is below a certain level.
- The charger must be connected if you hear a beeping sound when pushing the buttons.

Attention – To prevent defects in the battery, we recommend removing the charger from the chair before usage.

To Prevent stand-by losses we recommend to disconnect charger from main supply.

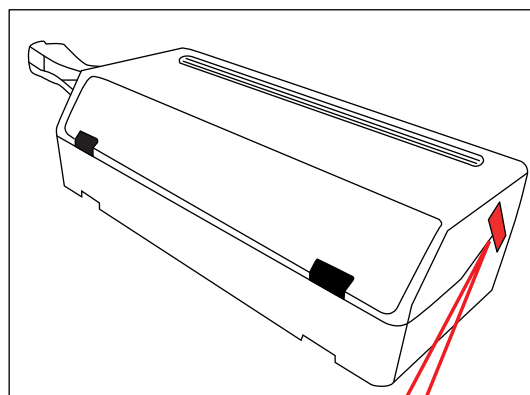
- The charging procedure is finished, when LED on the charge will turn from **red** to **green**
- A **red** flashing LED points on a fault condition during charging period:
 - Remedial measure: Disconnect charge from main supply, wait 5 sec and plug in again
- The charging procedure takes usually 4 to 5 hours/
- It is recommended not to interrupt the charging process to make sure that the motocontroller will develop max power.

Exchange of batteries:

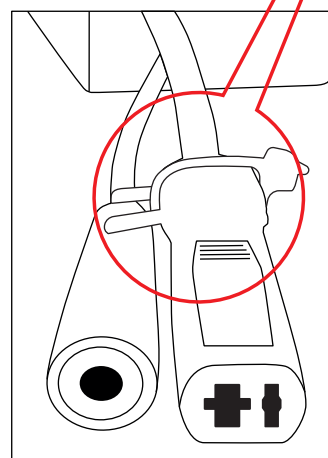
Only authorized dealers are legitimated to exchange the core batteries

Disposal hints: The power pack is produced in accordance to the EU directive 2002/96. This directive governs the disposal of electrical equipment, to protect the environment

Batteries must be disposed of by authorized battery disposal centers only.



Picture 2



**10A Fuse
(red)**

Picture 1

- Don't insert fuse during transport or storage