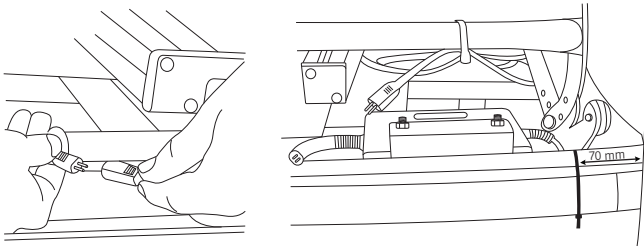


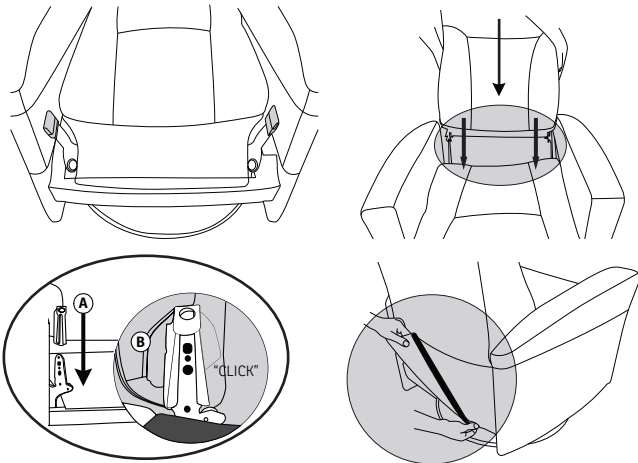
STEP 6

Connect the cable plug of the Rechargeable Battery Pack to the cable plug from the reclining motor. Secure the cable leading to the AC adaptor by using the supplied plastic Ty-rap. Please maintain a distance of approx. 70 mm (2.75 inch) from the frame corner (drawings 6).



STEP 7

Return the chair to its standing position. Gently attach the back by placing the metal posts into the sleeves located at the rear on both sides of the chair. Once slid into the correct position you will feel and hear a 'click' the lock engages. You can check this lock by lifting the back. Please be careful not to damage the leather or fabric when joining the back and seat. Attach the rear Velcro flap (skirt) again as indicated (drawings 7).



I
N
S
T
R
U
C
T
I
O
N
S

CONGRATULATIONS

You are now the proud owner of a Rechargeable Power Pack. We are confident you will enjoy the comfort and style of this new furniture.



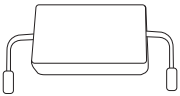
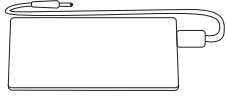
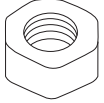
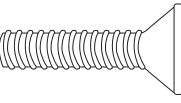


IMPORTANT

Read this and other relevant instructions before using the product. Keep this manual for future reference.

INSTRUCTION FOR RECHARGEABLE POWER PACK

- The battery capacity is delivered with about 75% charge, please fully charge before using.
- This product must be matched with the li-ion charger provided by our company. Only a certified technician should attempt to service the charger and battery.
- This product has an audible low-voltage warning signal, which will beep continually for 30 seconds when it detects the battery is low.
- This product has short circuit protection system, which means it will cut power automatically when there is a short circuit. At 30 second intervals the alarming will beep, and the unit will go to self-recovery after short circuit disappears.
- This product has a current-surge protection system, which means it will cut off output when high voltage is detected. The alarm will beep for about 30 seconds and then the unit will go to self-recovery. If it happens more than 3 times, the system will shut down. Disconnect the little output plug from the battery and reconnect again to restart the system. Attn: The updated version does not have this function. It will continue to go to self-recovery after continual 30 second audible alarm warnings.
- This product is designed to protect the battery from improper power connections to avoid discharging. So please make sure to match with special charger.
- When activating the touch sensor and belt sensor, the inner relay will need some time to react. If the handset is used frequently without pause, the unit will cut power automatically because of the circuit protection system. Avoid running the handset too frequent without pausing in between; normally the time interval should be more than 2 seconds.
- When this product is outfitted with the touch sensor and protection bar, which utilizes internal circuitry, the unit will exert a continual draw on the power source. If the unit is not used for long time, please charge after 15 days. (attn: by disconnecting the output plug, you will dramatically reduce the power consumption and the charge may keep up to a maximum of 6 months)
- If you habitually run the battery down all the way, approx. 300 cycles, the battery's capacity to hold a charge will stay at optimum levels of more than 70%.
- When charging the battery, the LED light will turn green once it's fully charged. Disconnect charger when finished charging to prolong the battery and charger life.
- This product is capable of being stored up to 180 days with an initial full charge on the battery, and while temperatures are kept between 0-45° C degrees (32-113° F). But it is recommended to re-charge the battery again if the unit is left unused for more than 90 days, to help maintain battery life.
- The standard charging time is 3-6 hours.

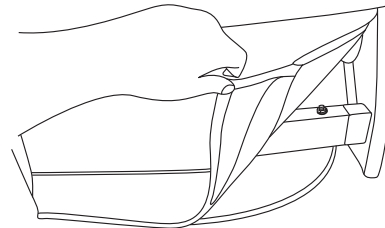
COMPONENTS

I Battery  x 1	II AC Adapter  x 1
III Nut  x 2	IV Screw  x 2
V Plastic bracket  x 1	VI Plastic Ty-rap  x 1

ASSEMBLY INSTRUCTION

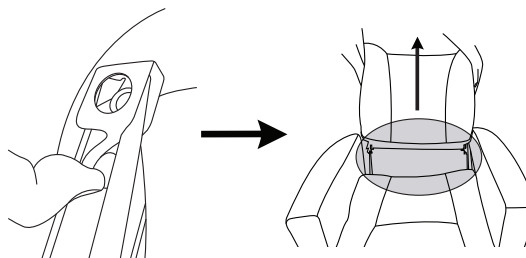
STEP 1

If the chair back has been attached, please separate the Velcro (skirt) flap located at the bottom rear of the chair by gently pulling the Velcro strip (drawing 1).



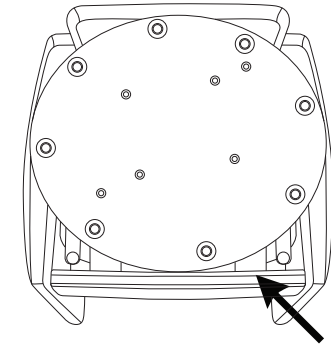
STEP 2

Pull on the 2 clips located on the left & right hand of the rear inside arms. This is located where the back sits between the arms (drawings 2) and lift the back part upwards, out of its clicked / locked position. Each side can be done separately. Be careful to position the back in a safe location to avoid damage.



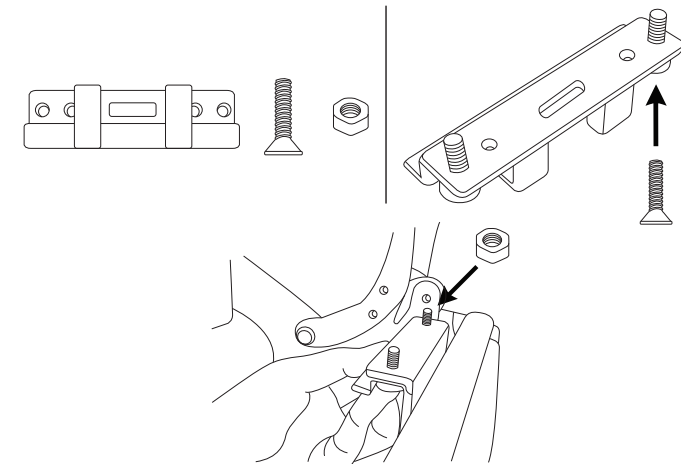
STEP 3

Please protect your floor and chair by placing a blanket on the floor before turning the chair upside down to gain access to the mechanism. You will notice a steel support pre-installed on the lower part of the chair frame (drawing 3).



STEP 4

Attach the enclosed plastic bracket to the steel support using the 2 supplied bolts & nuts (drawings 4).



STEP 5

Attach the enclosed Rechargeable Battery Pack using its 'Snap-On' system with the mounted plastic bracket (drawings 5).

